

E3 Wall Wash Flangeless Trims

1.0

VISUAL COMFORT & Co.

ARCHITECTURAL COLLECTION

GENERAL PRODUCT INFORMATION:

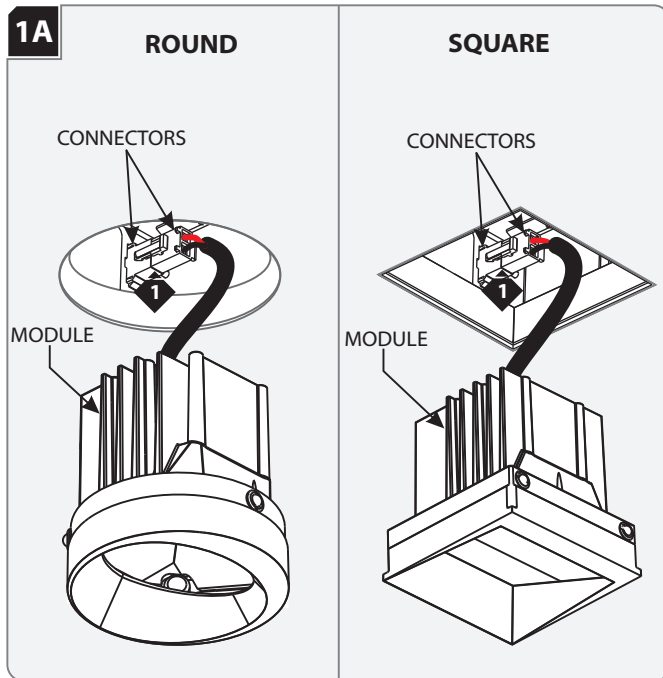
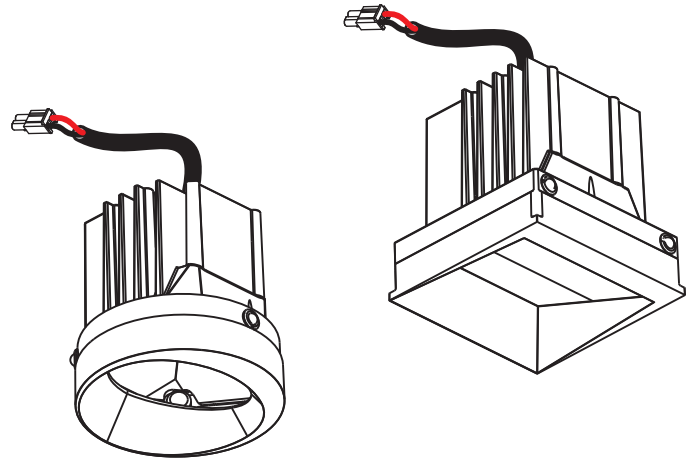
This product is suitable for indoor locations.

This instruction shows a typical installation.

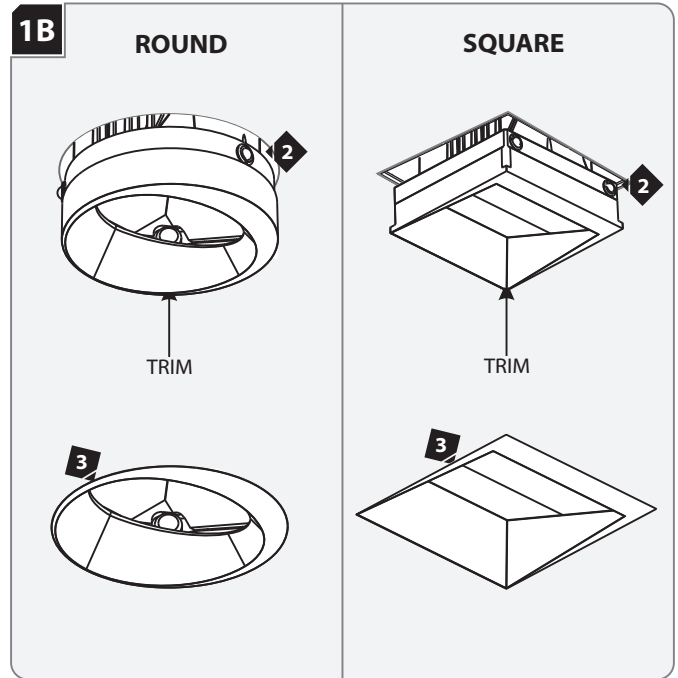


SAVE THESE INSTRUCTIONS!

Install the Module and Trim



1 Connect the wall wash module to the fixture using the connectors.



2 Align the trim with the inner edge of the collar or plaster plate.

3 Push the trim into the collar or plaster plate until it snaps into the collar or plaster plate walls.